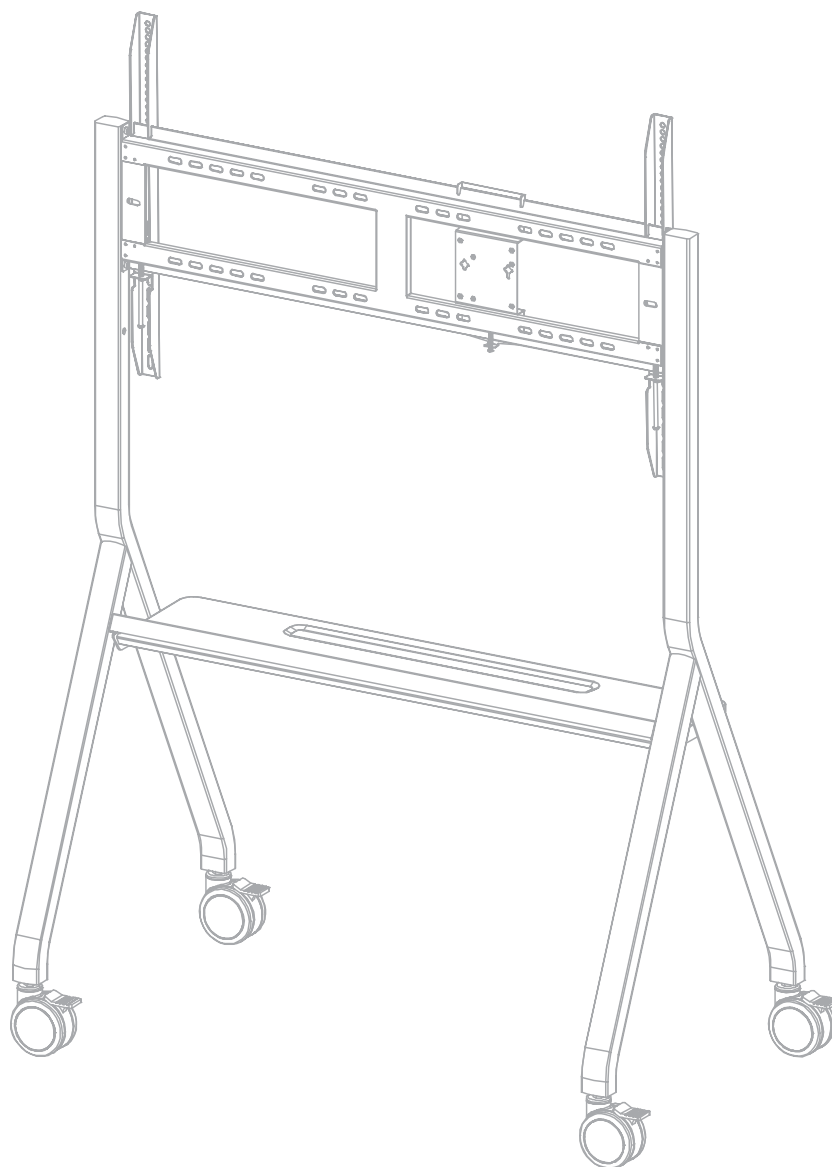


VB-STND-009

User Guide



IMPORTANT: Please read this User Guide to obtain important information on installing and using your product in a safe manner, as well as registering your product for future service. Warranty information contained in this User Guide will describe your limited coverage from ViewSonic® Corporation, which is also found on our web site at <http://www.viewsonic.com> in English, or in specific languages using the Regional selection box of our website.

Model No. VS19726
P/N: VB-STND-009

Thank you for choosing ViewSonic®

As a world-leading provider of visual solutions, ViewSonic® is dedicated to exceeding the world's expectations for technological evolution, innovation, and simplicity. At ViewSonic®, we believe that our products have the potential to make a positive impact in the world, and we are confident that the ViewSonic® product you have chosen will serve you well.

Once again, thank you for choosing ViewSonic®!

Safety Precautions

Please read the following **Safety Precautions** before you start using the device.

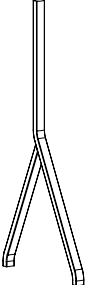
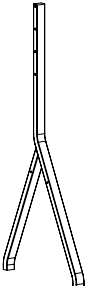

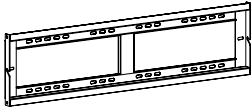


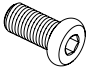


- Keep this user guide in a safe place for later reference.
- Read all warnings and follow all instructions.
- To prevent damage, avoid any physical pressure, vibration, or immersion during transportation, possession, or installation of the product.
- Always place the product on a flat, stable surface.
- Avoid contacting any liquids, gas, or corrosive materials with the shell of the product.
- This product has no parts which can be repaired by the user. Any damage caused by the user's own disassembly is not covered by warranty.
- This product is specially designed for use with ViewSonic® displays. Use with other models or manufacturers may result in stand instability possibly causing injury.
- This product is only compatible with panels up to a maximum size of 105”.
- The maximum weight loading of this product is 120 kg (264.55 lbs).
- Avoid the following to prevent the personal injury and/or equipment damage:
 - » Children **MUST NOT** operate the stand in any manner.
 - » **KEEP AWAY** from moving parts to avoid injury.
 - » **DO NOT** move the cart with the lift in the highest position.
 - » **DO NOT** push the cart from the front or attempt to lift it.
 - » **DO NOT** move the cart by pushing on the display panel.
 - » **DO NOT** move the cart over cords, uneven surfaces, or slopes.




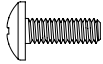
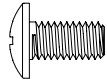
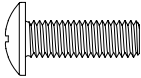
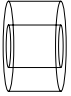

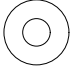
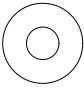
Contents

Safety Precautions.....	3
Introduction	5
Package Contents	5
Product Overview	7
Initial Setup.....	8
Assembling the Product	8
Appendix.....	12
Specifications.....	12
Product Dimensions	13
Regulatory and Service Information	14
Compliance Information.....	14
FCC Compliance Statement.....	14
Industry Canada Statement.....	14
CE Conformity for European Countries.....	14
Declaration of RoHS2 Compliance.....	15
Indian Restriction of Hazardous Substances	16
Product Disposal at End of Product Life	16
Copyright Information	17
Customer Service.....	18

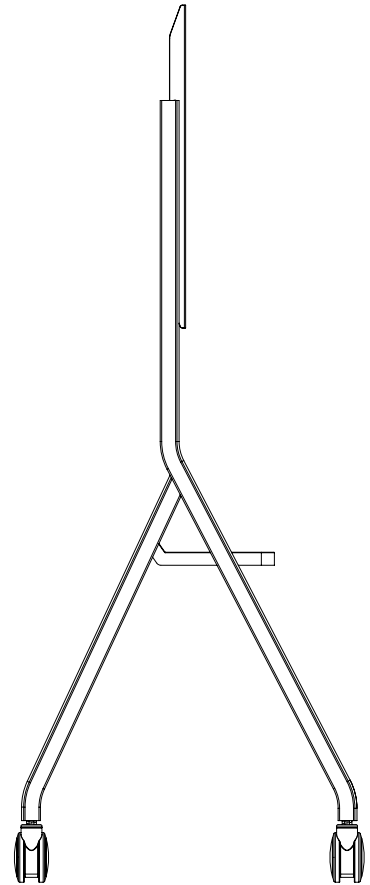
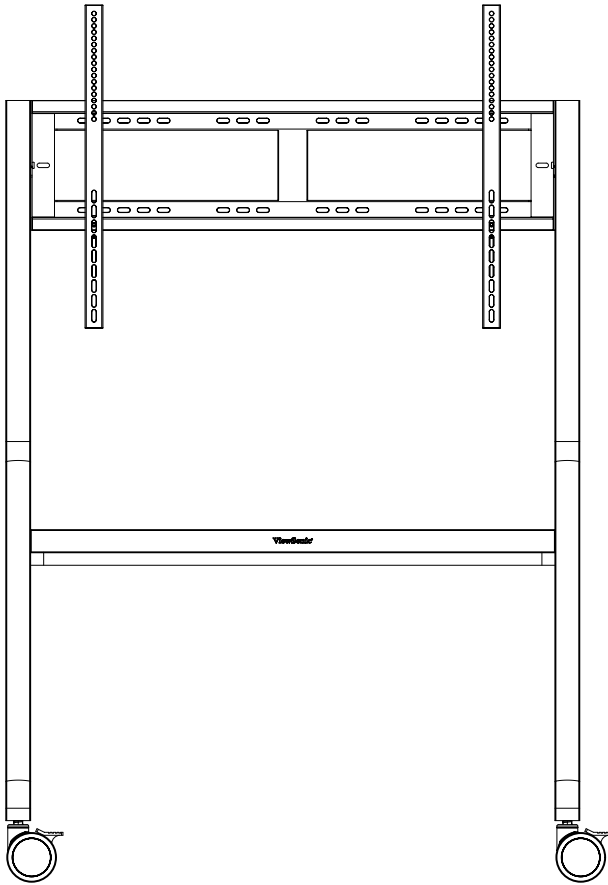
Introduction

Package Contents

Letter	Item	Description	Quantity
A		Left Column	1
B		Right Column	1
C		Tray	1
D		Wall Plate	1
E		Bracket	2
F		4 inch Caster	4
G		M8x16 Screw	6
H		M6x12 Screw	4
I		24x12.5x1.5 Washer	4

Letter	Item	Description	Quantity
J		20xØ12.5x3.5 Spring Washer	4
K		4 mm Inner Hex Wrench	1
L		5 mm Inner Hex Wrench	1
Display Assembly Parts			
a		M4x12 Screw	4
b		M6x25 Screw	4
c		M8x35 Screw	4
d		Ø18x8.5x10 mm Spacer	4
e		Ø18x9x2.5 mm Spacer	8
f		M4 Washer	4
g		M6 Washer	4

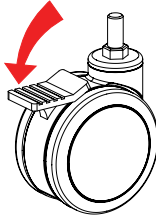
Product Overview



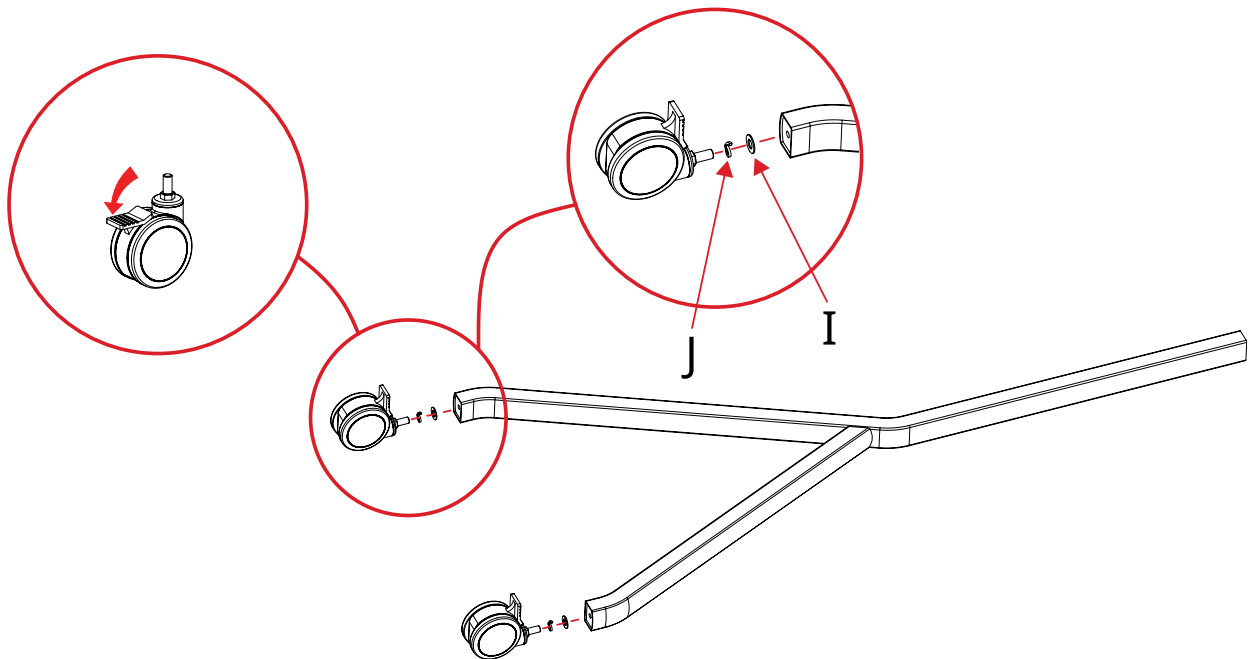
Initial Setup

Assembling the Product

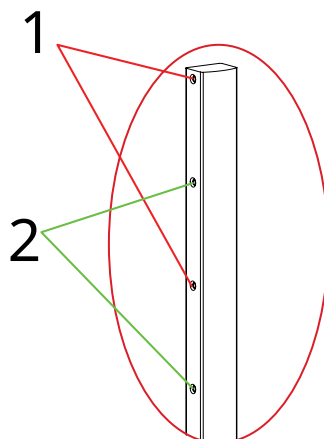
1. Engage the break on the wheels of the four **Casters (F)**.



2. Screw the four **Casters (F)** into the **Left (A)** and **Right Columns (B)** using the **20xØ12.5x3.5 Spring Washer (J)** and **24x12.5x1.5 Washer (I)**.

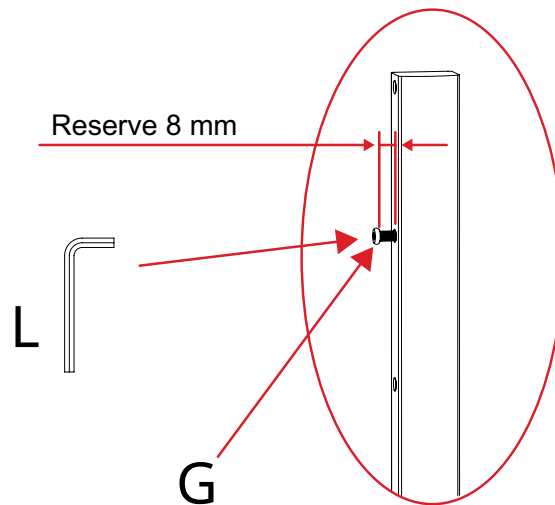


3. There are two combinations of mounting holes, on the **Left (A)** and **Right Columns (B)**, for the **Wall Plate (D)**.

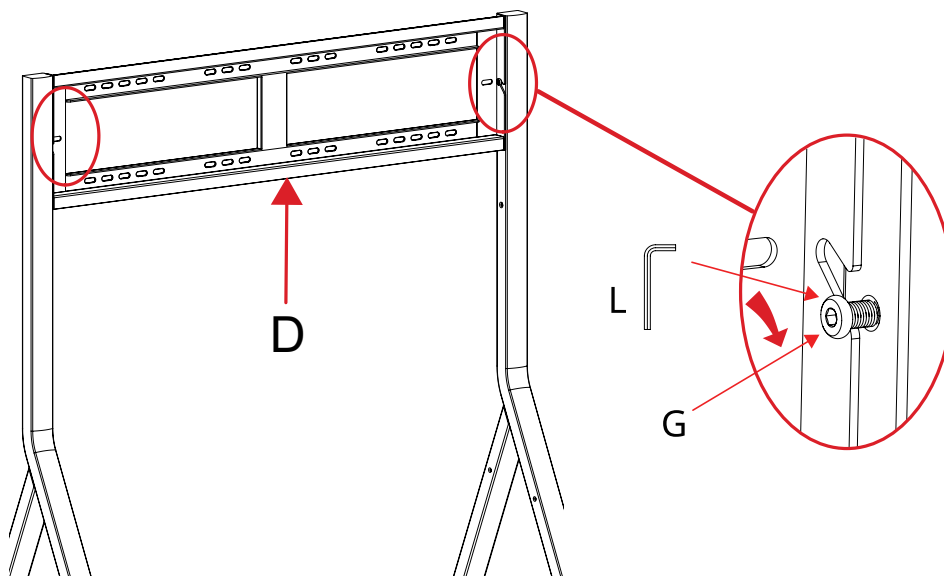


4. After choosing the appropriate combination, screw one **M8x16 Screw (G)** halfway into the middle mounting hole of the chosen combination into each **Column (A & B)**.

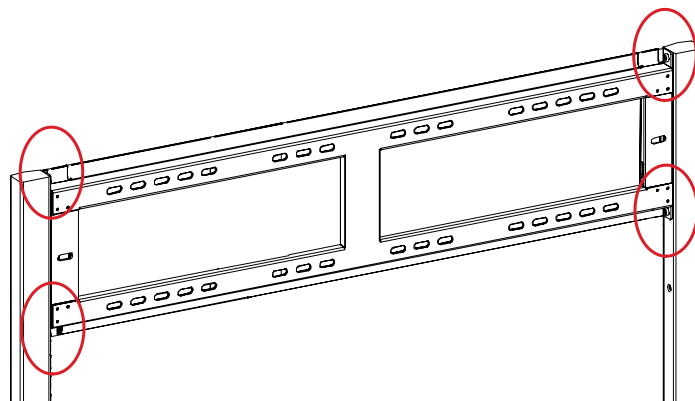
NOTE: Ensure at least 8 mm of the **M8x16 Screw (G)** is sticking out.



5. Hang the **Wall Plate (D)** onto the two halfway screwed **M8x16 Screws (G)**. Once hung, fully tighten both **M8x16 Screws (G)**.

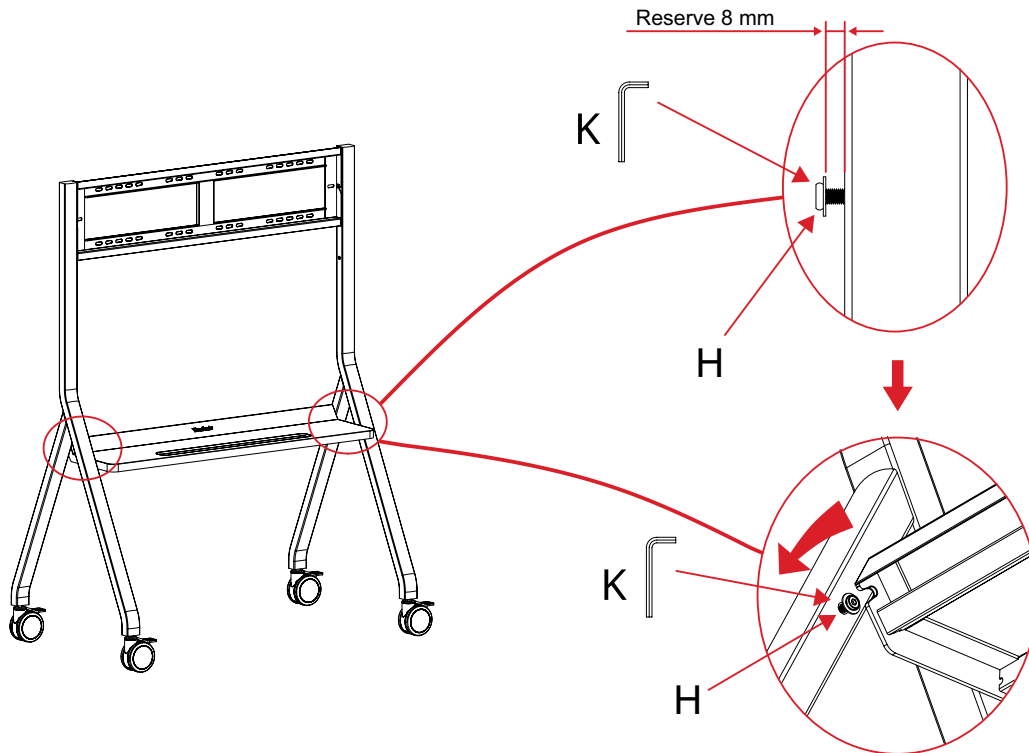


6. Screw in the remaining four **M8x16 Screws (G)** to fully secure the **Wall Plate (D)**.

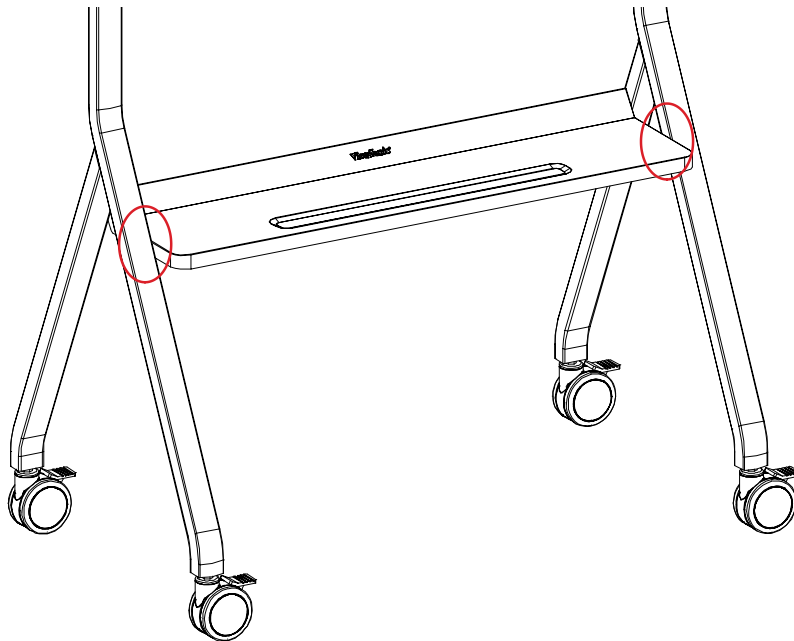


7. Screw one **M6x12 Screw (H)** halfway into each **Column (A & B)** as shown below.

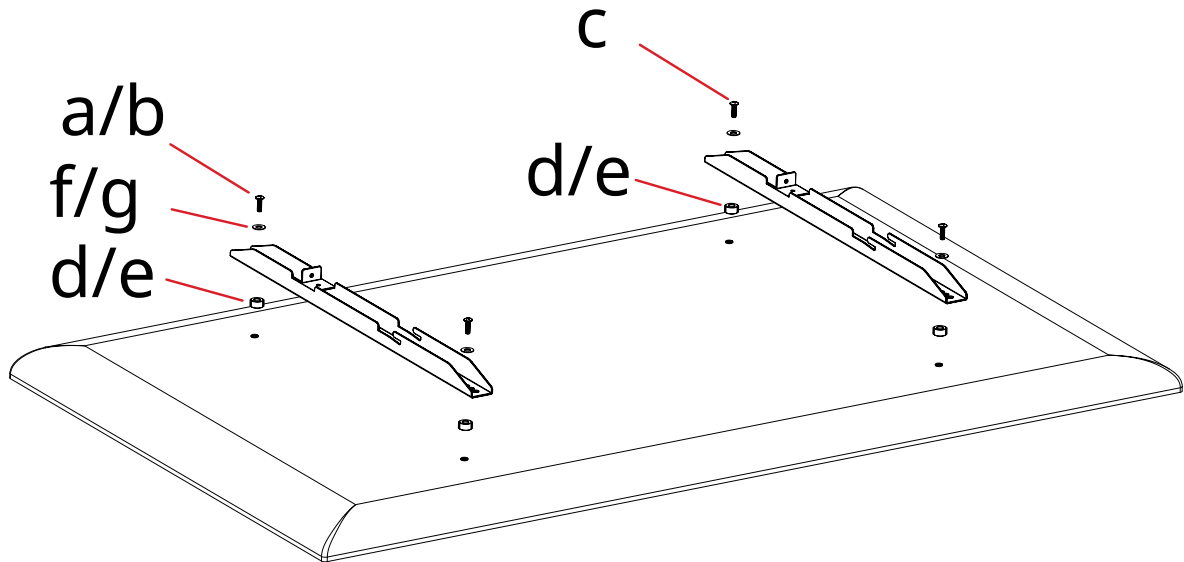
NOTE: Ensure at least 8 mm of the **M6x12 Screw (H)** is sticking out.



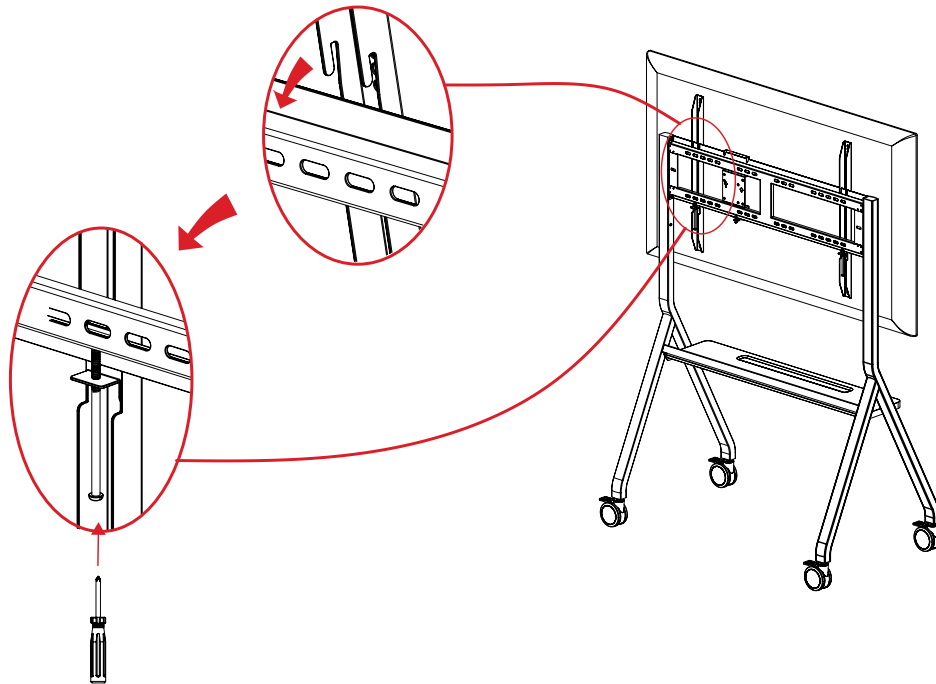
8. Place the **Tray (C)** onto the two exposed **M6x12 Screws (H)**. Fully tighten the two **M6x12 Screws (H)**. Using the remaining two **M6x12 Screws (H)**, further secure the **Tray (C)** to the **Left (A)** and **Right Columns (B)**.



9. Secure the two **Brackets (E)** onto the display as shown below.



10. With two or more people, carefully hang the display, with the **Brackets (E)** installed, onto the **Wall Plate (D)**. Then lock the safety screws on the **Brackets (E)**.

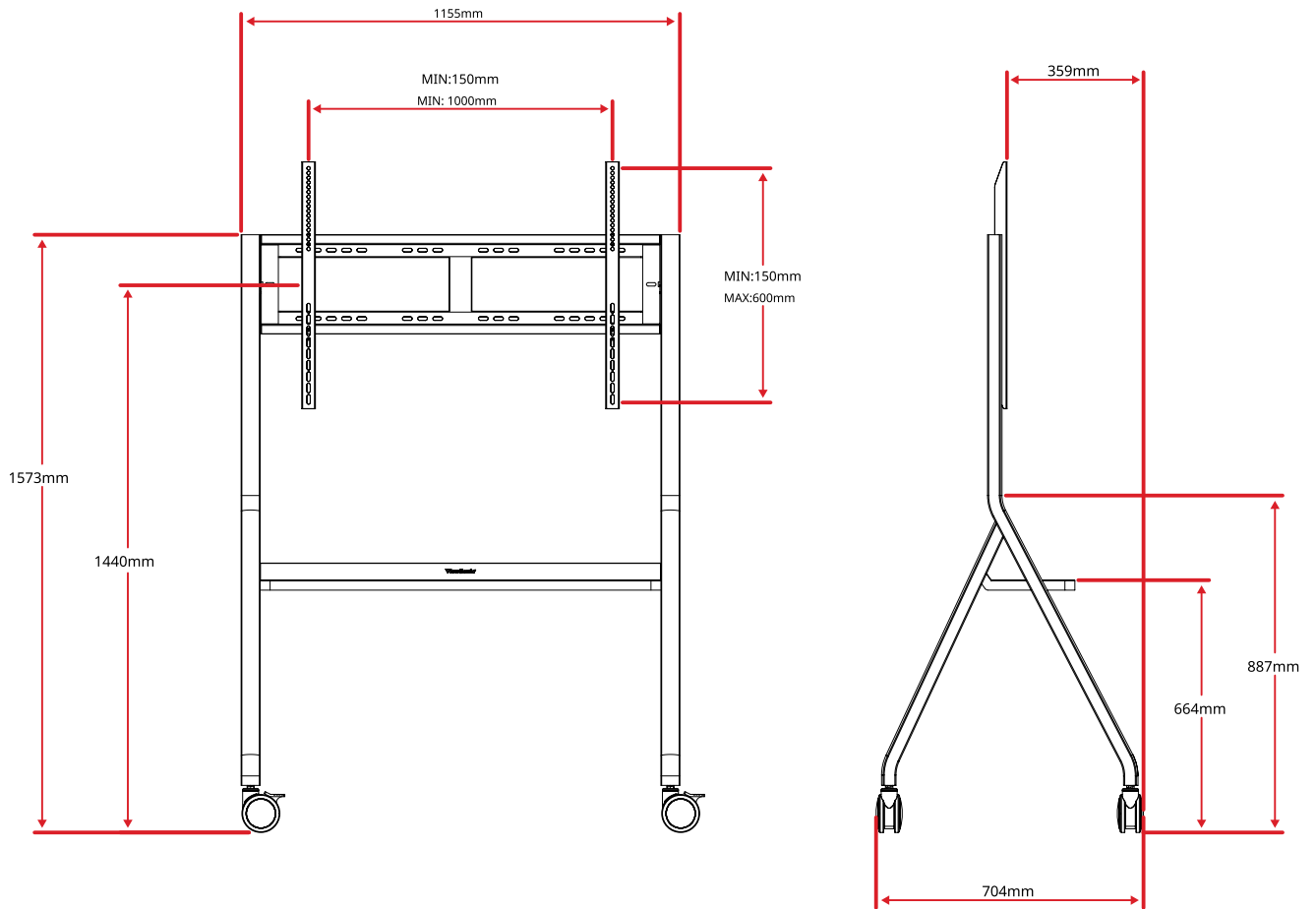


Appendix

Specifications

Item	Specifications
Swivel	360°
Height Adjustment Range	1317/1437 mm (51.85"/56.57")
Wall Mount Bracket	up to 1000 x 600 mm (max. 105" display)
Caster	4"
Wall Mount Loading	120 kg max (265 lbs)
Plate Loading	15 kg max (33.1 lbs)
Dimensions (W x H x D)	1155 x 1570~1762 x 704 mm (45.5" x 61.8"~69.4" x 27.7")
Weight	24.65 kg (54.35 lbs)

Product Dimensions



Regulatory and Service Information

Compliance Information

This section addresses all connected requirements and statements regarding regulations. Confirmed corresponding applications shall refer to nameplate labels and relevant markings on the unit.

FCC Compliance Statement

This device complies with part 15 of FCC Rules. Operation is subject to the following two conditions: (1) this device may not cause harmful interference, and (2) this device must accept any interference received, including interference that may cause undesired operation. This equipment has been tested and found to comply with the limits for a Class B digital device, pursuant to part 15 of the FCC Rules.

These limits are designed to provide reasonable protection against harmful interference in a residential installation. This equipment generates, uses, and can radiate radio frequency energy, and if not installed and used in accordance with the instructions, may cause harmful interference to radio communications. However, there is no guarantee that interference will not occur in a particular installation. If this equipment does cause harmful interference to radio or television reception, which can be determined by turning the equipment off and on, the user is encouraged to try to correct the interference by one or more of the following measures:

- Reorient or relocate the receiving antenna.
- Increase the separation between the equipment and receiver.
- Connect the equipment into an outlet on a circuit different from that to which the receiver is connected.
- Consult the dealer or an experienced radio/TV technician for help.

Warning: You are cautioned that changes or modifications not expressly approved by the party responsible for compliance could void your authority to operate the equipment.

Industry Canada Statement

CAN ICES-003(B) / NMB-003(B)

CE Conformity for European Countries



The device complies with the EMC Directive 2014/30/EU and Low Voltage Directive 2014/35/EU.

The following information is only for EU-member states:

The mark shown to the right is in compliance with the Waste Electrical and Electronic Equipment Directive 2012/19/EU (WEEE). The mark indicates the requirement NOT to dispose of the equipment as unsorted municipal waste, but use the return and collection systems according to local law.



Declaration of RoHS2 Compliance

This product has been designed and manufactured in compliance with Directive 2011/65/EU of the European Parliament and the Council on restriction of the use of certain hazardous substances in electrical and electronic equipment (RoHS2 Directive) and is deemed to comply with the maximum concentration values issued by the European Technical Adaptation Committee (TAC) as shown below:

Substance	Proposed Maximum Concentration	Actual Concentration
Lead (Pb)	0.1%	< 0.1%
Mercury (Hg)	0.1%	< 0.1%
Cadmium (Cd)	0.01%	< 0.01%
Hexavalent Chromium (Cr6 ⁺)	0.1%	< 0.1%
Polybrominated biphenyls (PBB)	0.1%	< 0.1%
Polybrominated diphenyl ethers (PBDE)	0.1%	< 0.1%
Bis (2-ethylhexyl) phthalate (DEHP)	0.1%	< 0.1%
Butyl benzyl phthalate (BBP)	0.1%	< 0.1%
Dibutyl phthalate (DBP)	0.1%	< 0.1%
Diisobutyl phthalate (DIBP)	0.1%	< 0.1%

Certain components of products as stated above are exempted under the Annex III of the RoHS2 Directives as noted below. Examples of exempted components are:

- Copper alloy containing up to 4% lead by weight.
- Lead in high melting temperature type solders (i.e. lead-based alloys containing 85% by weight or more lead).
- Electrical and electronic components containing lead in a glass or ceramic other than dielectric ceramic in capacitors, e.g. piezoelectronic devices, or in a glass or ceramic matrix compound.
- Lead in dielectric ceramic in capacitors for a rated voltage of 125V AC or 250V DC or higher.

Indian Restriction of Hazardous Substances

Restriction on Hazardous Substances statement (India). This product complies with the “India E-waste Rule 2011” and prohibits use of lead, mercury, hexavalent chromium, polybrominated biphenyls or polybrominated diphenyl ethers in concentrations exceeding 0.1 weight % and 0.01 weight % for cadmium, except for the exemptions set in Schedule 2 of the Rule.

Product Disposal at End of Product Life

ViewSonic® respects the environment and is committed to working and living green. Thank you for being part of Smarter, Greener Computing. Please visit the ViewSonic® website to learn more.

USA & Canada:

<https://www.viewsonic.com/us/go-green-with-viewsonic>

Europe:

<https://www.viewsonic.com/eu/go-green-with-viewsonic>

Taiwan:

<https://recycle.epa.gov.tw/>

Copyright Information

Copyright© ViewSonic® Corporation, 2023. All rights reserved.

Macintosh and Power Macintosh are registered trademarks of Apple Inc.

Microsoft, Windows, and the Windows logo are registered trademarks of Microsoft Corporation in the United States and other countries.

ViewSonic®, the three birds logo are registered trademarks of ViewSonic® Corporation.

VESA is a registered trademark of the Video Electronics Standards Association. DPMS, DisplayPort, and DDC are trademarks of VESA.

Disclaimer: ViewSonic® Corporation shall not be liable for technical or editorial errors or omissions contained herein; nor for incidental or consequential damages resulting from furnishing this material, or the performance or use of this product.

In the interest of continuing product improvement, ViewSonic® Corporation reserves the right to change product specifications without notice. Information in this document may change without notice.

No part of this document may be copied, reproduced, or transmitted by any means, for any purpose without prior written permission from ViewSonic® Corporation.

Customer Service

For technical support or product service, see the table below or contact your reseller.

NOTE: You will need the product's serial number.

Country/ Region	Website	Country/ Region	Website
Asia Pacific & Africa			
Australia	www.viewsonic.com/au/	Bangladesh	www.viewsonic.com/bd/
中国 (China)	www.viewsonic.com.cn	香港 (繁體中文)	www.viewsonic.com/hk/
Hong Kong (English)	www.viewsonic.com/hk-en/	India	www.viewsonic.com/in/
Indonesia	www.viewsonic.com/id/	Israel	www.viewsonic.com/il/
日本 (Japan)	www.viewsonic.com/jp/	Korea	www.viewsonic.com/kr/
Malaysia	www.viewsonic.com/my/	Middle East	www.viewsonic.com/me/
Myanmar	www.viewsonic.com/mm/	Nepal	www.viewsonic.com/np/
New Zealand	www.viewsonic.com/nz/	Pakistan	www.viewsonic.com/pk/
Philippines	www.viewsonic.com/ph/	Singapore	www.viewsonic.com/sg/
臺灣 (Taiwan)	www.viewsonic.com/tw/	ประเทศไทย	www.viewsonic.com/th/
Việt Nam	www.viewsonic.com/vn/	South Africa & Mauritius	www.viewsonic.com/za/
Americas			
United States	www.viewsonic.com/us	Canada	www.viewsonic.com/us
Latin America	www.viewsonic.com/la		
Europe			
Europe	www.viewsonic.com/eu/	France	www.viewsonic.com/fr/
Deutschland	www.viewsonic.com/de/	Қазақстан	www.viewsonic.com/kz/
Россия	www.viewsonic.com/ru/	España	www.viewsonic.com/es/
Türkiye	www.viewsonic.com/tr/	Україна	www.viewsonic.com/ua/
United Kingdom	www.viewsonic.com/uk/		



ViewSonic®